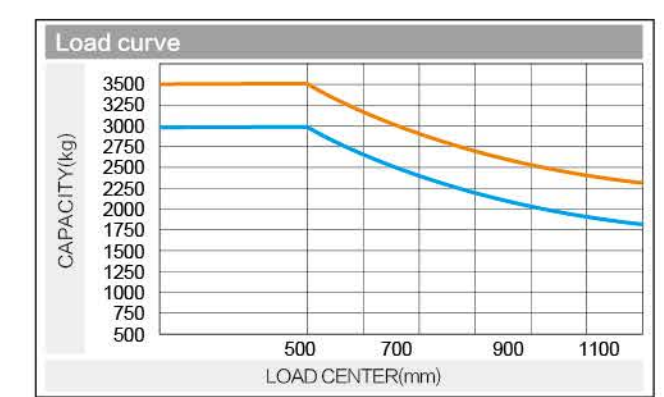
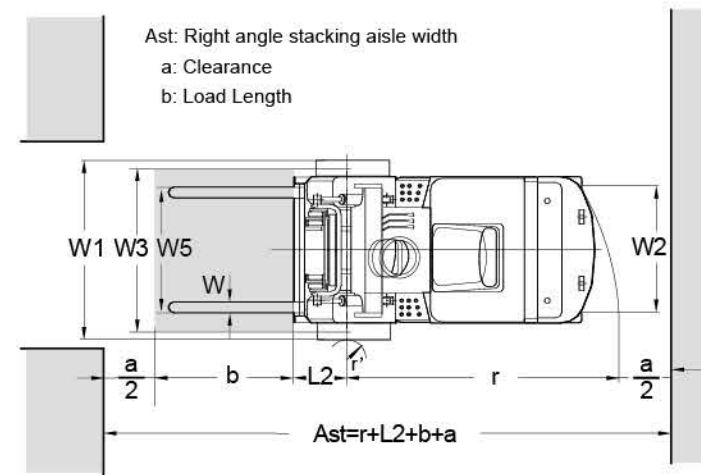
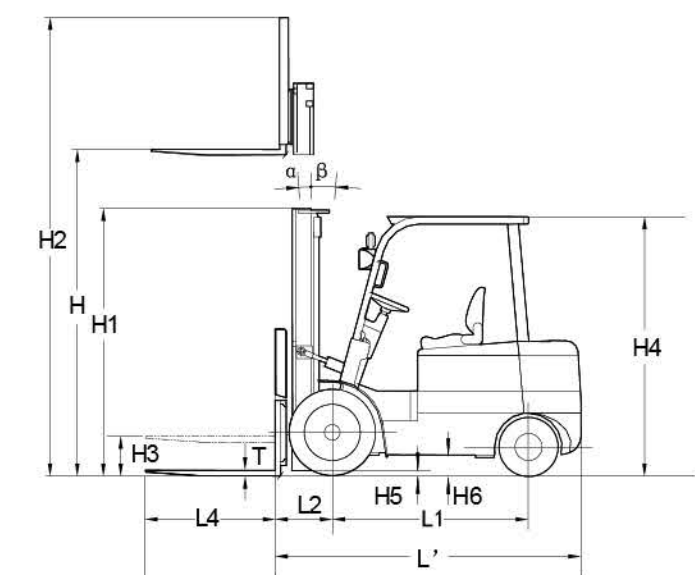


Manufacturer's Data and Design Characteristics

| character | | ANHUI HELI CO., LTD. | |
|----------------------|---|----------------------|---|
| 1.01 | manufacturer | | |
| 1.02 | model | CPD30 | CPD35 |
| 1.03 | configuration number | CC1/CC2 | CC1/CC2 |
| 1.04 | rated capacity | 3000 | 3500 |
| 1.05 | load center distance | c | mm |
| 1.06 | power mode | Battery | Battery |
| 1.07 | driving mode | Seated | Seated |
| 1.08 | wheel base | L1 | mm |
| 2.01 | tyre | | |
| 2.01 | tyre type | Pneumatic | SE |
| 2.02 | wheel number(front/rear) | | |
| 2.03 | front wheel base | W3 | mm |
| 2.04 | rear wheel base | W2 | mm |
| 2.05 | tyre (front) | 28X9-15-14PR | 28X9-15 |
| 2.06 | tyre(rear) | 18X7-8-14PR | 18X7-8 |
| 3.01 | front overhang | L2 | mm |
| 3.02 | mast tilt angle, front/rear | α/β | ° |
| 3.03 | height with mast retraction | H1 | mm |
| 3.04 | free lifting height | H3 | mm |
| 3.05 | Max. lifting height | H | mm |
| 3.06 | Max. height under working condition | H2 | mm |
| 3.07 | overhead guard height | H4 | mm |
| 3.08 | fork size:thickness×width×length | T×W×L4 | mm |
| 3.09 | Lateral Fork Adjustment (Outside of Forks) Max./Min. | W5 | mm |
| 3.10 | fork arm carrier, DIN standard | | |
| 3.11 | truck body length (fork excluded) | L' | mm |
| 3.12 | truck body width | W1 | mm |
| 3.13 | turning radius | r | mm |
| 3.14 | clearance between mast and ground | H5 | mm |
| 3.15 | clearance between wheel base center and ground(loaded) | H6 | mm |
| 3.16 | right angle stacking aisle width (pallet1000x1000mm, clearance 200mm) | Ast | mm |
| 3.17 | right angle stacking aisle width (pallet1200x1200mm, clearance 200mm) | Ast | mm |
| performance | | | |
| 4.01 | travelling speed: loaded/unloaded | km/h | 15/15.5 / 14.5/15 |
| 4.02 | lifting speed: loaded/unloaded | m/s | 0.28/0.46 / 0.27/0.44 |
| 4.03 | lowering speed: loaded/unloaded | m/s | 0.48 / 0.42 |
| 4.04 | gradeability (loaded) | % | 17/17/15 / 15/15/12 |
| 4.05 | Max. traction force (loaded) | N | 15600 / 15600 |
| 4.06 | acceleration time (10m) loaded/unloaded | s | 5.75/5.2 / 5.75/5.2 |
| weight | | | |
| 5.01 | total weight (with /without battery) | kg | 4810/3460 / 5500/3950 |
| 5.02 | axle load: unloaded, front/rear | kg | 2320/2490 / 2640/2860 |
| 5.03 | axle load: loaded, front/rear | kg | 7055/755 / 8145/855 |
| battery | | | |
| 6.01 | battery voltage/capacity K5 | V/Ah | 80/480 / 80/560 |
| 6.02 | battery weight | kg | 1350(1350-1626) / 1550(1350-1650) |
| 6.03 | battery, DIN standard | | 43536A / 43536A |
| motor and controller | | | |
| 7.01 | drive motor power-60 minutes | kW | 16.6 / 16.6 |
| 7.02 | lifting motor power(S3-15%) | kW | 13.0 / 13.0 |
| 7.03 | drive motor controlling mode | | MOSFET/AC / MOSFET/AC |
| 7.04 | lifting motor controlling mode | | MOSFET/DC / MOSFET/DC |
| 7.05 | service brake/parking brake | | Hydraulic/Mechanical / Hydraulic/Mechanical |
| 7.06 | hydraulic system working pressure | Mpa | 21 / 21 |

NOTE:(1)*Detailed information about battery, please contact our salesman or engineer. (2)*P: battery side extraction(side pulling or side loading),side loading for standard. (3)For configuration number, 1: CURTIS Controller; 2: ZAPI Controller.



3.0t 3.5t

Note: The vertical axis stands for load capacity and the horizontal axis stands for load center which is calculated from the front surface of the forks to the gravity of the standard load. The standard load means a cubic with 1000mm edge length. When mast is tilted forward, using non-standard forks or loading large goods, the load capacity will be reduced. The load capacity of standard mast at different load center can be known from this load chart.

| Mast model | Max. lifting height mm | Load capacity (load center 500mm)(kg) | | Mast overall height(mm) | | Service weight(kg) | | Mast tilt angle (°) α/β |
|------------|------------------------|---------------------------------------|----------------------|-------------------------|------|--------------------|------|-------------------------|
| | | 3t | 3.5t | 3t | 3.5t | 3t | 3.5t | |
| M200 | 2000 | 3000 | 3500 | 1570 | 1680 | 4715 | 5400 | 6/10 |
| M250 | 2500 | 3000 | 3500 | 1820 | 1930 | 4755 | 5450 | 6/10 |
| M300 | 3000 | 3000 | 3500 | 2070 | 2180 | 4810 | 5500 | 6/10 |
| M330 | 3300 | 3000 | 3500 | 2220 | 2330 | 4840 | 5530 | 6/10 |
| M350 | 3500 | 3000 | 3500 | 2320 | 2430 | 4860 | 5550 | 6/10 |
| M370 | 3700 | 3000 | 3400 | 2420 | 2530 | 4890 | 5570 | 6/6 / 6/10 |
| M400 | 4000 | 2950 | 3350 | 2620 | 2730 | 4955 | 5645 | 6/6 / 6/10 |
| M425 | 4250 | 2850 | 3250 | 2745 | 2855 | 4980 | 5670 | 6/6 / 6/10 |
| M450 | 4500 | 2750 | 3100 | 2870 | 2980 | 5005 | 5695 | 6/6 / 6/10 |
| M500 | 5000 | 2400 / *2900 / *2550 | 2650 / *3050 / *2800 | 3120 | 3230 | 5055 | 5745 | 6/6 / 6/10 / *6/6 |
| M550 | 5500 | 2250 / *2700 / *2450 | 2500 / *2850 / *2600 | 3420 | 3530 | 5135 | 5835 | 3/6 / *3/6 |
| M600 | 6000 | 1600 / *2300 / *2100 | 1650 / *2500 / *2300 | 3670 | 3780 | 5185 | 5880 | 3/6 / *3/6 |

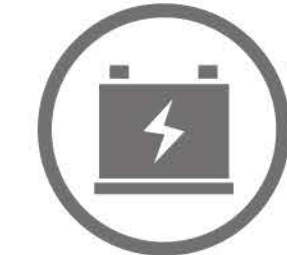
NOTE: (1)* refers to rated capacity with double tires;

| Mast model | Max. lifting height mm | Load capacity (load center 500mm)(kg) | | Mast overall height(mm) | | Free lifting height (with backrest)(mm) | | Service weight(kg) | | Mast tilt angle (°) α/β |
|------------|------------------------|---------------------------------------|----------------------|-------------------------|------|---|------|--------------------|------|-------------------------|
| | | 3t | 3.5t | 3t | 3.5t | 3t | 3.5t | 3t | 3.5t | |
| ZM200 | 2000 | 3000 | 3500 | 1570 | 1680 | 388 | 503 | 4756 | 5466 | 6/10 |
| ZM250 | 2500 | 3000 | 3500 | 1820 | 1930 | 638 | 753 | 4800 | 5510 | 6/10 |
| ZM300 | 3000 | 3000 | 3500 | 2070 | 2180 | 888 | 1003 | 4846 | 5555 | 6/10 |
| ZM330 | 3300 | 3000 | 3500 | 2220 | 2330 | 1038 | 1153 | 4873 | 5582 | 6/10 |
| ZM350 | 3500 | 3000 | 3500 | 2320 | 2430 | 1138 | 1253 | 4891 | 5600 | 6/10 |
| ZM370 | 3700 | 3000 | 3400 | 2420 | 2530 | 1238 | 1353 | 4909 | 5618 | 6/6 / 6/10 / *6/6 |
| ZM400 | 4000 | 2950 | 3350 | 2620 | 2730 | 1438 | 1553 | 4981 | 5692 | 6/6 / 6/10 / *6/6 |
| ZM425 | 4250 | 2850 | 3250 | 2745 | 2855 | 1563 | 1678 | 5003 | 5714 | 6/6 / 6/10 / *6/6 |
| ZM450 | 4500 | 2750 | 3100 | 2870 | 2980 | 1688 | 1803 | 5026 | 5737 | 6/6 / 6/10 |
| ZM500 | 5000 | 2400 / *2900 / *2550 | 2650 / *3050 / *2800 | 3120 | 3230 | 1938 | 2053 | 5071 | 5782 | 6/6 / 6/6 / *6/6 |
| ZM550 | 5500 | 2250 / *2700 / *2450 | 2500 / *2850 / *2600 | 3420 | 3530 | 2238 | 2353 | 5161 | 5874 | 3/6 / *3/6 |
| ZM600 | 6000 | 1600 / *2300 / *2100 | 1650 / *2500 / *2300 | 3670 | 3780 | 2488 | 2603 | 5208 | 5920 | 3/6 / *3/6 |

NOTE: (1)* refers to rated capacity with double tires. (2)3-3.5T: free lifted height 365mm increased without backrest.

| Mast model | Max. lifting height mm | Load capacity (load center 500mm)(kg) | | Mast overall height(mm) | Free lifting height (with backrest)(mm) | | Service weight (kg) | | Mast tilt angle (°) α/β |
|------------|------------------------|---------------------------------------|----------------------|-------------------------|---|------|---------------------|------|-------------------------|
| | | 3t | 3.5t | | 3-3.5t | 3t | 3.5t | 3t | |
| ZSM360 | 3600 | 3000 | 3400 | 1930 | 748 | 753 | 5065 | 5725 | 6/6 |
| ZSM400 | 4000 | 2900 | 3250 | 2055 | 873 | 878 | 5100 | 5760 | 6/6 |
| ZSM435 | 4350 | 2750 | 3150 | 2180 | 998 | 1003 | 5135 | 5795 | 6/6 |
| ZSM450 | 4500 | 2700 | 3000 | 2230 | 1048 | 1053 | 5151 | 5811 | 6/6 |
| ZSM470 | 4700 | 2700 | 2900 | 2230 | 1048 | 1053 | 5155 | 5815 | 6/6 |
| ZSM480 | 4800 | 2600 | 2800 | 2330 | 1148 | 1153 | 5180 | 5840 | 6/6 |
| ZSM500 | 5000 | 2400 / *2900 / *2550 | 2650 / *3050 / *2800 | 2430 | 1248 | 1253 | 5209 | 5869 | 6/6 / 6/6 / *6/6 |
| ZSM540 | 5400 | 2250 / *2700 / *2450 | 2500 / *2850 / *2600 | 2555 | 1373 | 1378 | 5244 | 5904 | 3/6 / *3/6 |
| ZSM600 | 6000 | 1550 / *2500 / *2300 | 1600 / *2700 / *2500 | 2780 | 1598 | 1603 | 5343 | 6003 | 3/6 / *3/6 |
| ZSM650 | 6500 | 1250 / *2200 / *2000 | 1300 / *2500 / *2300 | 2970 | 1788 | 1793 | 5396 | 6056 | 3/3 / *3/3 |
| ZSM700 | 7000 | 850 / *2100 | 1000 / *2300 | 3240 | 2058 | 2063 | 5480 | 6140 | 3/3 / *3/3 |

NOTE: (1)* refers to rated capacity with double tires. (2)3-3.5T: free lifted height 397mm increased without backrest.



RENEWABLE ENERGY TECHNOLOGIES

With the use of the excellent load-sensing steering system and AC controlling renewable energy technologies, the forklift is more energy-saving and the working hour of the battery is extended by 15%.

15%