



ZHEJIANG HANGCHA IMP. & EXP. CO., LTD.

Factory site: 666 Xiangfu Road,
Hangzhou, Zhejiang, China (311305)

Tel: +86-571-88926735 88926755
Fax: +86-571-88926789 88132890

sales@hcforklift.com
www.hcforklift.com



Follow us on
Facebook



Follow us on
YouTube



Follow us on
WeChat



Download "Hangcha
Forklift" App



ISO14001
ISO14001:2015



ISO9001
ISO9001:2015



HANGCHA trucks conform
to the European Safety
Requirements.

2020 VERSION 1.1 COPYRIGHT 2020/08

HANGCHA GROUP CO., LTD. reserves the right to make any changes without notice concerning colors, equipment, or specifications detailed in this brochure, or to discontinue individual models. The colors of trucks, delivered may differ slightly from those in brochures.



AE Series Electric Forklift

with capacities of 1,500 to 3,500kg

The World of Hangcha
SINCE 1956



AE Series Electric Forklift

Independently developed by Hangcha on the basis of more than 30 years of electric forklift research and development and accumulated manufacturing technology, the AE series electric forklifts are a new series of high-efficiency and energy-saving electric counterweight forklifts with a new structure that represents a breakthrough over the traditional design concept. The research and development of control and power systems are innovated and the product exterior, ergonomics, reliability, maintenance and other aspects are optimized, so that the performance of the vehicle is greatly improved.

Appearance

- / With a profile formed by a combination of straight lines and streamlined curved surfaces, the truck is compact and maneuverable and has simple and sturdy appearance.

Comfort

- / The cover is sealed with a good effect of rain resistance.
- / The enlarged brake pedal and appropriate regenerative braking function can effectively reduce the driver's fatigue.
- / The wide-view mast with optimized design is unlikely to obstruct the operator's sight. The enlarged opening size of the fork carriage enables a wider view.



Maintenance

- / The front-opening hood design makes charging and maintenance easier.
- / The electric control parts, fuse, etc. can be accessed easily and maintained without tools.
- / The side-mounted oil tank facilitates liquid level check and oil addition.

Stability

- / The center of gravity is moved back by placing the battery at the rear of the truck, it can ensure the longitudinal stability.

Advancement

- / The Y2 (Enpower controller) series uses 80V voltage system, both the traction and oil pump use permanent magnet synchronous motors, which have high efficiency, strong power and low energy consumption.
- / The controller, oil tank and pump motor are all placed at the front to enable small pipeline length and less energy loss.
- / The high-frequency MOSFET integrated controller ensures smooth and accurate traveling and lifting control, and has excellent speed regulation performance, good performance of electronic control matching the motor, functions of regenerative braking, reverse braking and anti-sliding on ramps, etc., and high safety and reliability.

Safety

- / The optional lowering lock function can improve the safety greatly when the driver leaves the seat.
- / The soft landing and electronic control lifting buffering (Opt.) are all provide to protect goods effectively.
- / The handbrake can be optionally equipped with an alarm buzzer to prompt the driver to pull up the handbrake before leaving the truck.



The truck is ergonomically designed to provide a good view and a large operating space



Both the traction and oil pump adopt permanent magnet synchronous motors for the Enpower controller



The battery can be removed from the rear enables the battery to be replaced more flexibly (Only for the lead-acid battery)



Multifunctional color screen instrument with graphical interface design is simple and intuitive for operator



Battery is placed at the rear of the truck



Standard Specification

- / Duplex mast
- / Silent gear pump
- / Multi-function color-screen instrument
- / LED headlight
- / Integral rubber pedal pad
- / Dual multi-way valve
- / Stamping front pedal
- / Integral ABS boarding pedal
- / Integral stamped side panel and hood
- / Soft landing
- / Speed mode selection
- / DC-DC converter
- / Emergency power off switch
- / Reverse buzzer
- / Load sensing steering system
- / Traction pin
- / Rearview mirror
- / OPS system

Options

- / Large-capacity battery
- / Charger
- / Left and right rear view mirrors
- / Reverse armrest
- / Widening or heightening load backrest
- / Forks of other lengths
- / Rear work light
- / Front dual tire
- / Super elastic solid tire
- / Non mark solid tire
- / Triple multi-way valve
- / Quadruple multi-way valve
- / Built-in sideshifter
- / Other attachments
- / Maintenance-free lead carbon battery
- / PVC transparent canopy
- / PVC transparent cover plate for the battery lifting port on the overhead guard
- / Front windshield
- / Cab
- / Warning light
- / Blue light

| Lead-acid specification | | | | | | |
|-------------------------|-----------------------|-----------------------------|---------------------|---------------------------|---------------------|------------------------|
| Capacity (Ah/5h) | 1.5-mini2t 80V (AEY2) | 1.5-mini2t 48V (AEJ2/D2/D1) | 2.0-2.5t 80V (AEY2) | 2.0-2.5t 48V (AEJ2/D2/D1) | 3.0-3.5t 80V (AEY2) | 3.0-3.5t 80V (AED2/D1) |
| 220 (lead acid) | ● | — | — | — | — | — |
| 240 (lead acid) | ○ | — | — | — | — | — |
| 300 (lead acid) | ○ | — | ● | — | — | — |
| 350 (lead acid) | — | — | ○ | — | — | — |
| 400 (lead acid) | — | — | — | — | ● | — |
| 420 (lead acid) | — | ● | — | — | — | — |
| 450 (lead acid) | — | — | — | — | ○ | — |
| 480 (lead acid) | — | — | — | — | ○ | ● |
| 500 (lead acid) | — | ○ | — | — | — | — |
| 640 (lead acid) | — | — | — | ● | — | — |
| 660 (lead acid) | — | — | — | ○ | — | — |

● Std. ○ Opt. — Null.

| Lithium specification | | | |
|-----------------------|----------------|--------------|--------------|
| Capacity (Ah/5h) | 1.5-mini2t 80V | 2.0-2.5t 80V | 3.0-3.5t 80V |
| 120 (Lithium) | ● | — | — |
| 202 (Lithium) | ○ | ● | — |
| 271 (Lithium) | ○ | ○ | ● |
| 404 (Lithium) | — | ○ | ○ |
| 542 (Lithium) | — | — | ○ |

● Std. ○ Opt. — Null.





1.5t AE Series Mast Specification

| Type | Model | Lifting height | Lowered overall height | Overall height | | Free lifting height | | Tilting range | Capacity(Mast vertical to ground) | |
|------------------------|-----------|----------------|------------------------|------------------|---------------|---------------------|---------------|---------------|-----------------------------------|---------|
| | | | | Without backrest | With backrest | Without backrest | With backrest | | Load center@500mm | |
| | | | | mm | mm | mm | mm | mm | mm | FWD/BWD |
| Duplex wide view mast | XPD15M200 | 2000 | 1475 | 2538 | 2955 | 135 | 135 | 6/12 | 1500 | 1500 |
| | XPD15M250 | 2500 | 1725 | 3038 | 3455 | 135 | 135 | 6/12 | 1500 | 1500 |
| | XPD15M270 | 2700 | 1825 | 3238 | 3655 | 135 | 135 | 6/12 | 1500 | 1500 |
| | XPD15M300 | 3000 | 1975 | 3538 | 3955 | 135 | 135 | 6/12 | 1500 | 1500 |
| | XPD15M330 | 3300 | 2125 | 3838 | 4255 | 135 | 135 | 6/12 | 1500 | 1500 |
| | XPD15M350 | 3500 | 2225 | 4038 | 4455 | 135 | 135 | 6/12 | 1500 | 1500 |
| | XPD15M360 | 3600 | 2325 | 4138 | 4555 | 135 | 135 | 6/12 | 1500 | 1500 |
| | XPD15M370 | 3700 | 2375 | 4238 | 4655 | 135 | 135 | 6/12 | 1500 | 1500 |
| | XPD15M400 | 4000 | 2575 | 4538 | 4955 | 135 | 135 | 6/12 | 1500 | 1500 |
| | XPD15M430 | 4300 | 2725 | 4838 | 5255 | 135 | 135 | 6/6 | 1500 | 1500 |
| | XPD15M450 | 4500 | 2825 | 5038 | 5455 | 135 | 135 | 6/6 | 1500 | 1500 |
| | XPD15M480 | 4800 | 2975 | 5338 | 5755 | 135 | 135 | 6/6 | 1400 | 1500 |
| XPD15M500 | 5000 | 3075 | 5538 | 5955 | 135 | 135 | 6/6 | 1350 | 1400 | |
| Duplex full-free mast | XPD15U200 | 2000 | 1490 | 2559 | 2945 | 931 | 545 | 6/6 | 1500 | 1500 |
| | XPD15U250 | 2500 | 1740 | 3059 | 3445 | 1181 | 795 | 6/12 | 1500 | 1500 |
| | XPD15U270 | 2700 | 1840 | 3259 | 3645 | 1281 | 895 | 6/12 | 1500 | 1500 |
| | XPD15U300 | 3000 | 1990 | 3559 | 3945 | 1431 | 1045 | 6/12 | 1500 | 1500 |
| | XPD15U330 | 3300 | 2140 | 3859 | 4245 | 1581 | 1195 | 6/12 | 1500 | 1500 |
| | XPD15U350 | 3500 | 2240 | 4059 | 4445 | 1681 | 1295 | 6/12 | 1500 | 1500 |
| | XPD15U360 | 3600 | 2290 | 4159 | 4545 | 1731 | 1345 | 6/12 | 1500 | 1500 |
| | XPD15U370 | 3700 | 2340 | 4259 | 4645 | 1781 | 1395 | 6/12 | 1500 | 1500 |
| Triplex full-free mast | XPD15U400 | 4000 | 2540 | 4559 | 4945 | 1981 | 1595 | 6/12 | 1500 | 1500 |
| | XPD15N430 | 4300 | 2040 | 4869 | 5255 | 1481 | 1095 | 6/6 | 1500 | 1500 |
| | XPD15N450 | 4500 | 2090 | 5069 | 5455 | 1531 | 1145 | 6/6 | 1500 | 1500 |
| | XPD15N480 | 4800 | 2240 | 5369 | 5755 | 1681 | 1295 | 6/6 | 1400 | 1500 |
| | XPD15N500 | 5000 | 2340 | 5569 | 5955 | 1781 | 1395 | 6/6 | 1400 | 1450 |
| | XPD15N550 | 5500 | 2540 | 6069 | 6455 | 1981 | 1595 | 3/6 | 1250 | 1350 |
| XPD15N600 | 6000 | 2790 | 6600 | 6955 | 2200 | 1845 | 3/6 | 1100 | 1150 | |

1.8t AE Series Mast Specification

| Type | Model | Lifting height | Lowered overall height | Overall height | | Free lifting height | | Tilting range | Capacity(Mast vertical to ground) | | | |
|------------------------|-----------|----------------|------------------------|------------------|---------------|---------------------|---------------|---------------|-----------------------------------|------|---------|--|
| | | | | Without backrest | With backrest | Without backrest | With backrest | | Load center@500mm | | FWD/BWD | |
| | | | | mm | mm | mm | mm | 1.8t | 1.8t | | | |
| | | | | mm | mm | mm | mm | kg | kg | | | |
| Duplex wide view mast | XPD18M200 | 2000 | 1475 | 2648 | 2955 | 135 | 135 | 6/12 | 1800 | 1800 | | |
| | XPD18M250 | 2500 | 1725 | 3148 | 3455 | 135 | 135 | 6/12 | 1800 | 1800 | | |
| | XPD18M270 | 2700 | 1825 | 3348 | 3655 | 135 | 135 | 6/12 | 1800 | 1800 | | |
| | XPD18M300 | 3000 | 1975 | 3648 | 3955 | 135 | 135 | 6/12 | 1800 | 1800 | | |
| | XPD18M330 | 3300 | 2125 | 3948 | 4255 | 135 | 135 | 6/12 | 1800 | 1800 | | |
| | XPD18M350 | 3500 | 2225 | 4148 | 4455 | 135 | 135 | 6/12 | 1800 | 1800 | | |
| | XPD18M360 | 3600 | 2325 | 4248 | 4555 | 135 | 135 | 6/12 | 1800 | 1800 | | |
| | XPD18M370 | 3700 | 2375 | 4348 | 4655 | 135 | 135 | 6/12 | 1800 | 1800 | | |
| | XPD18M400 | 4000 | 2575 | 4648 | 4955 | 135 | 135 | 6/12 | 1800 | 1800 | | |
| | XPD18M430 | 4300 | 2725 | 4948 | 5255 | 135 | 135 | 6/6 | 1700 | 1750 | | |
| | XPD18M450 | 4500 | 2825 | 5148 | 5455 | 135 | 135 | 6/6 | 1650 | 1700 | | |
| | XPD18M480 | 4800 | 2975 | 5448 | 5755 | 135 | 135 | 6/6 | 1600 | 1650 | | |
| | XPD18M500 | 5000 | 3075 | 5648 | 5955 | 135 | 135 | 6/6 | 1550 | 1600 | | |
| Duplex full-free mast | XPD18U200 | 2000 | 1490 | 2669 | 2945 | 821 | 545 | 6/6 | 1800 | 1800 | | |
| | XPD18U250 | 2500 | 1740 | 3169 | 3445 | 1071 | 795 | 6/12 | 1800 | 1800 | | |
| | XPD18U270 | 2700 | 1840 | 3369 | 3645 | 1171 | 895 | 6/12 | 1800 | 1800 | | |
| | XPD18U300 | 3000 | 1990 | 3669 | 3945 | 1321 | 1045 | 6/12 | 1800 | 1800 | | |
| | XPD18U330 | 3300 | 2140 | 3969 | 4245 | 1471 | 1195 | 6/12 | 1800 | 1800 | | |
| | XPD18U350 | 3500 | 2240 | 4169 | 4445 | 1571 | 1295 | 6/12 | 1800 | 1800 | | |
| | XPD18U360 | 3600 | 2290 | 4269 | 4545 | 1621 | 1345 | 6/12 | 1800 | 1800 | | |
| Triplex full-free mast | XPD18U370 | 3700 | 2340 | 4369 | 4645 | 1671 | 1395 | 6/12 | 1800 | 1800 | | |
| | XPD18U400 | 4000 | 2540 | 4669 | 4945 | 1871 | 1595 | 6/12 | 1800 | 1800 | | |
| | XPD18N430 | 4300 | 2040 | 4979 | 5255 | 1371 | 1095 | 6/6 | 1650 | 1800 | | |
| | XPD18N450 | 4500 | 2090 | 5179 | 5455 | 1421 | 1145 | 6/6 | 1650 | 1750 | | |
| | XPD18N480 | 4800 | 2240 | 5479 | 5755 | 1571 | 1295 | 6/6 | 1600 | 1650 | | |
| | XPD18N500 | 5000 | 2340 | 5679 | 5955 | 1671 | 1395 | 6/6 | 1550 | 1600 | | |
| | XPD18N550 | 5500 | 2540 | 6179 | 6455 | 1871 | 1595 | 3/6 | 1500 | 1550 | | |
| | XPD18N600 | 6000 | 2790 | 6679 | 6955 | 2121 | 1845 | 3/6 | 1300 | 1400 | | |

2.0t/2.5t AE Series Mast Specification

| Type | Model | Lifting height | Lowered overall height | Overall height | | Free lifting height | | Tilting range | Capacity(Mast vertical to ground) | | | | |
|------------------------|-----------|----------------|------------------------|------------------|---------------|---------------------|---------------|---------------|-----------------------------------|------|------|------|--|
| | | | | Without backrest | With backrest | Without backrest | With backrest | | Load center@500mm | | | | |
| | | | | mm | mm | mm | mm | 2.0t | 2.5t | 2.0t | 2.5t | | |
| | | | | mm | mm | mm | mm | kg | kg | kg | kg | | |
| Duplex wide view mast | XPD25M200 | 2000 | 1501 | 2626 | 3046 | 140 | 140 | 6/6 | 2000 | 2500 | 2000 | 2500 | |
| | XPD25M250 | 2500 | 1751 | 3126 | 3546 | 140 | 140 | 6/12 | 2000 | 2500 | 2000 | 2500 | |
| | XPD25M270 | 2700 | 1851 | 3326 | 3746 | 140 | 140 | 6/12 | 2000 | 2500 | 2000 | 2500 | |
| | XPD25M300 | 3000 | 2001 | 3626 | 4046 | 140 | 140 | 6/12 | 2000 | 2500 | 2000 | 2500 | |
| | XPD25M330 | 3300 | 2151 | 3926 | 4346 | 140 | 140 | 6/12 | 2000 | 2500 | 2000 | 2500 | |
| | XPD25M350 | 3500 | 2251 | 4126 | 4546 | 140 | 140 | 6/12 | 2000 | 2500 | 2000 | 2500 | |
| | XPD25M360 | 3600 | 2351 | 4226 | 4646 | 140 | 140 | 6/12 | 2000 | 2500 | 2000 | 2500 | |
| | XPD25M370 | 3700 | 2401 | 4326 | 4746 | 140 | 140 | 6/12 | 2000 | 2500 | 2000 | 2500 | |
| | XPD25M400 | 4000 | 2601 | 4626 | 5046 | 140 | 140 | 6/12 | 2000 | 2450 | 2000 | 2500 | |
| | XPD25M430 | 4300 | 2751 | 4926 | 5346 | 140 | 140 | 6/6 | 1950 | 2300 | 2000 | 2450 | |
| | XPD25M450 | 4500 | 2851 | 5126 | 5546 | 140 | 140 | 6/6 | 1900 | 2150 | 1950 | 2300 | |
| | XPD25M470 | 4700 | 2951 | 5326 | 5746 | 140 | 140 | 6/6 | 1850 | 2000 | 1900 | 2150 | |
| | XPD25M480 | 4800 | 3001 | 5426 | 5846 | 140 | 140 | 6/6 | 1850 | 2000 | 1900 | 2150 | |
| | XPD25M500 | 5000 | 3101 | 5626 | 6046 | 140 | 140 | 6/6 | 1800 | 1850 | 1850 | 2000 | |
| | XPD25M550 | 5500 | 3351 | 6126 | 6546 | 140 | 140 | 3/6 | 1300 | 1400 | 1600 | 1900 | |
| Duplex full-free mast | XPD25M600 | 6000 | 3601 | 6626 | 7046 | 140 | 140 | 3/6 | 900 | 1000 | 1400 | 1750 | |
| | XPD25U200 | 2000 | 1516 | 2749 | 3046 | 842 | 470 | 6/6 | 2000 | 2500 | 2000 | 2500 | |
| | XPD25U250 | 2500 | 1766 | 3173.5 | 3546 | 1092 | 720 | 6/12 | 2000 | 2500 | 2000 | 2500 | |
| | XPD25U270 | 2700 | 1866 | 3373.5 | 3746 | 1192 | 820 | 6/12 | 2000 | 2500 | 2000 | 2500 | |
| | XPD25U300 | 3000 | 2016 | 3673.5 | 4046 | 1342 | 970 | 6/12 | 2000 | 2500 | 2000 | 2500 | |
| | XPD25U330 | 3300 | 2166 | 3973.5 | 4346 | 1492 | 1120 | 6/12 | 2000 | 2500 | 2000 | 2500 | |
| | XPD25U350 | 3500 | 2266 | 4173.5 | 4546 | 1592 | 1220 | 6/12 | 2000 | 2500 | 2000 | 2500 | |
| | XPD25U360 | 3600 | 2316 | 4273.5 | 4646 | 1642 | 1270 | 6/12 | 2000 | 2500 | 2000 | 2500 | |
| | XPD25U370 | 3700 | 2366 | 4373.5 | 4746 | 1692 | 1320 | 6/12 | 2000 | 2500 | 2000 | 2500 | |
| Triplex full-free mast | XPD25N400 | 4000 | 1966 | 4670.5 | 5046 | 1195 | 920 | 6/6 | 1900 | 2350 | 1950 | 2450 | |
| | XPD25N430 | 4300 | 2066 | 4970.5 | 5346 | 1295 | 1020 | 6/6 | 1850 | 2200 | 1900 | 2350 | |
| | XPD25N450 | 4500 | 2116 | 5170.5 | 5546 | 1345 | 1070 | 6/6 | 1800 | 2050 | 1850 | 2200 | |
| | XPD25N470 | 4700 | 2216 | 5370.5 | 5746 | 1445 | 1170 | 6/6 | 1750 | 1900 | 1800 | 2050 | |
| | XPD25N480 | 4800 | 2266 | 5470.5 | 5846 | 1495 | 1220 | 6/6 | 1750 | 1900 | 1800 | 2050 | |
| | XPD25N500 | 5000 | 2366 | 5670.5 | 6046 | 1595 | 1320 | 6/6 | 1700 | 1750 | 1800 | 2050 | |
| | XPD25N550 | 5500 | 2566 | 6170.5 | 6546 | 1795 | 1520 | 3/6 | 1300 | 1400 | 1600 | 1900 | |
| | XPD25N600 | 6000 | 2816 | 6670.5 | 7046 | 2045 | 1770 | 3/6 | 900 | 1000 | 1400 | 1750 | |
| | XPD25N650 | 6500 | 3016 | 7170.5 | 7546 | 2245 | 1970 | 3/6 | / | / | 1200 | 1450 | |
| | XPD25N700 | 7000 | 3266 | 7766 | 8046 | 2695 | 2220 | 3/6 | / | / | 1000 | 1150 | |

Short Wheelbase 2.0t AE Series Mast Specification

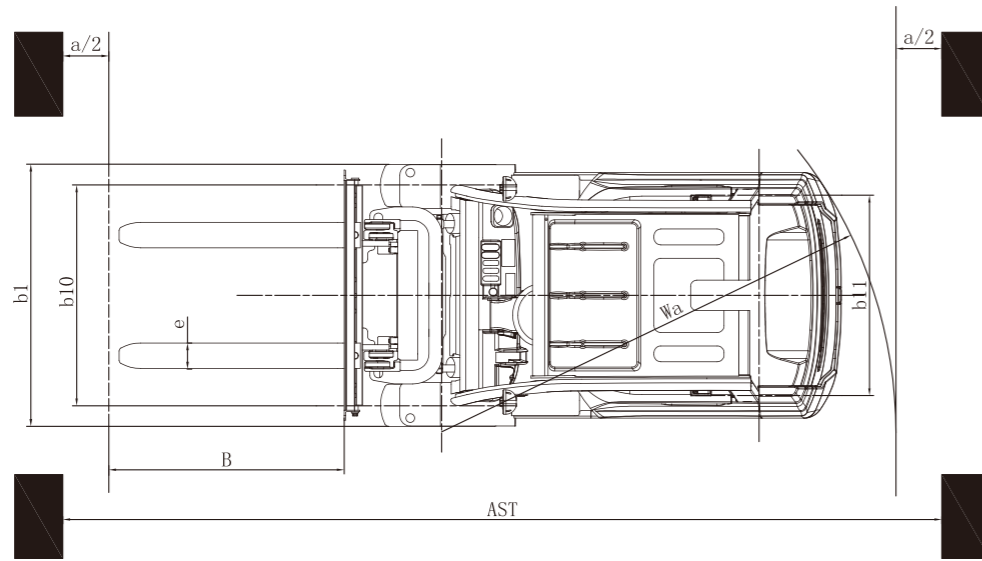
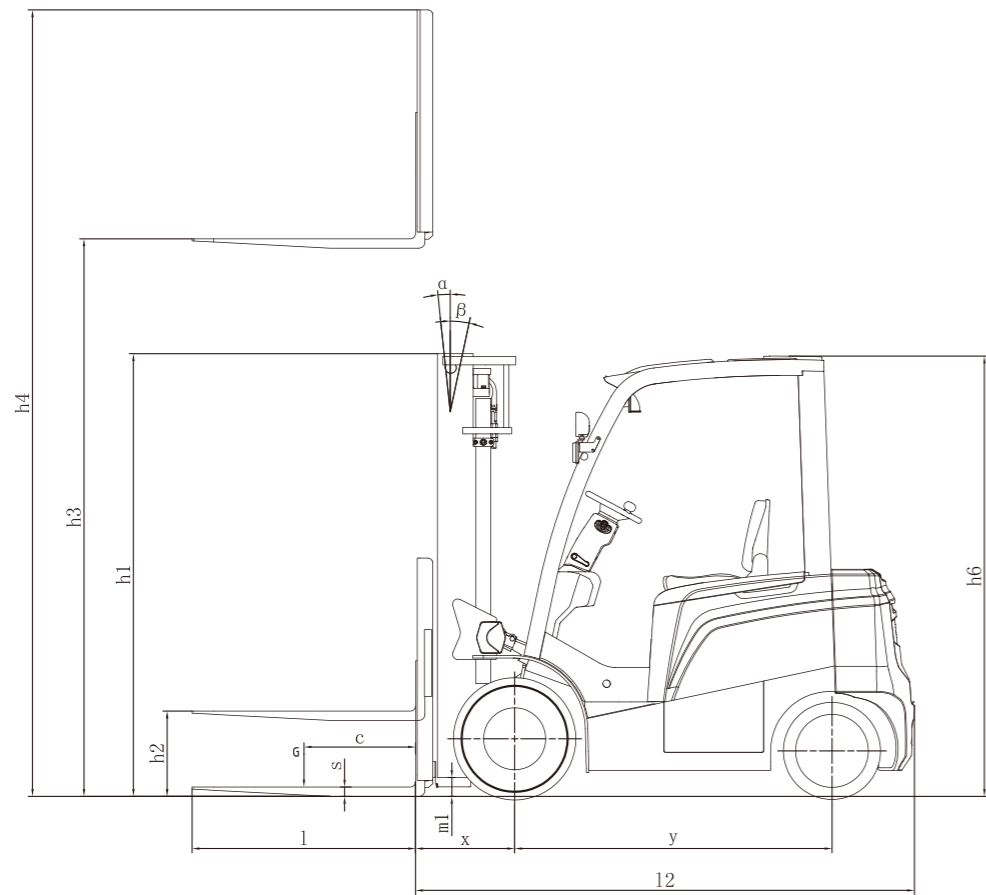
| Type | Model | Lifting height | Lowered overall height | Overall height | | Free lifting height | | Tilting range | Capacity(Mast vertical to ground) | | |
|------------------------|-----------------------|----------------|------------------------|------------------|---------------|---------------------|---------------|----------------------|-----------------------------------|------|------|
| | | | | Without backrest | With backrest | Without backrest | With backrest | | Load center@500mm | | |
| | | | | mm | mm | mm | mm | Short Wheelbase 2.0t | Short Wheelbase 2.0t | | |
| | | | | mm | mm | mm | mm | kg | kg | | |
| Duplex wide view mast | APYX20M200 | 2000 | 1475 | 2648 | 2955 | 140 | 140 | 6/12 | 2000 | 2000 | |
| | APYX20M250 | 2500 | 1725 | 3148 | 3455 | 140 | 140 | 6/12 | 2000 | 2000 | |
| | APYX20M270 | 2700 | 1825 | 3348 | 3655 | 140 | 140 | 6/12 | 2000 | 2000 | |
| | APYX20M300 | 3000 | 1975 | 3648 | 3955 | 140 | 140 | 6/12 | 2000 | 2000 | |
| | APYX20M330 | 3300 | 2125 | 3948 | 4255 | 140 | 140 | 6/12 | 2000 | 2000 | |
| | APYX20M350 | 3500 | 2225 | 4148 | 4455 | 140 | 140 | 6/12 | 2000 | 2000 | |
| | APYX20M360 | 3600 | 2325 | 4248 | 4555 | 140 | 140 | 6/12 | 2000 | 2000 | |
| | APYX20M370 | 3700 | 2375 | 4348 | 4655 | 140 | 140 | 6/12 | 2000 | 2000 | |
| | APYX20M400 | 4000 | 2575 | 4648 | 4955 | 140 | 140 | 6/12 | 2000 | 2000 | |
| | APYX20M430 | 4300 | 2725 | 4948 | 5255 | 140 | 140 | 6/6 | 1900 | 2000 | |
| | APYX20M450 | 4500 | 2825 | 5148 | 5455 | 140 | 140 | 6/6 | 1850 | 1900 | |
| | APYX20M480 | 4800 | 2975 | 5448 | 5755 | 140 | 140 | 6/6 | 1800 | 1850 | |
| | APYX20M500 | 5000 | 3075 | 5648 | 5955 | 140 | 140 | 6/6 | 1700 | 1750 | |
| | Duplex full-free mast | APYX20U200 | 2000 | 1490 | 2669 | 2945 | 826 | 550 | 6/6 | 2000 | 2000 |
| | | APYX20U250 | 2500 | 1740 | 3169 | 3445 | 1076 | 800 | 6/12 | 2000 | 2000 |
| APYX20U270 | | 2700 | 1840 | 3369 | 3645 | 1176 | 900 | 6/12 | 2000 | 2000 | |
| APYX20U300 | | 3000 | 1990 | 3669 | 3945 | 1326 | 1050 | 6/12 | 2000 | 2000 | |
| APYX20U330 | | 3300 | 2140 | 3969 | 4245 | 1476 | 1200 | 6/12 | 2000 | 2000 | |
| APYX20U350 | | 3500 | 2240 | 4169 | 4445 | 1576 | 1300 | 6/12 | 2000 | 2000 | |
| APYX20U360 | | 3600 | 2290 | 4269 | 4545 | 1626 | 1350 | 6/12 | 2000 | 2000 | |
| APYX20U370 | | 3700 | 2340 | 4369 | 4645 | 1676 | 1400 | 6/12 | 2000 | 2000 | |
| APYX20U400 | | 4000 | 2540 | 4669 | 4945 | 1876 | 1600 | 6/12 | 2000 | 2000 | |
| Triplex full-free mast | APYX20N430 | 4300 | 2040 | 4979 | 5255 | 1376 | 1100 | 6/6 | 1850 | 1950 | |
| | APYX20N450 | 4500 | 2090 | 5179 | 5455 | 1426 | 1150 | 6/6 | 1800 | 1900 | |
| | APYX20N480 | 4800 | 2240 | 5479 | 5755 | 1576 | 1300 | 6/6 | 1750 | 1850 | |
| | APYX20N500 | 5000 | 2340 | 5679 | 5955 | 1676 | 1400 | 6/6 | 1700 | 1800 | |
| | APYX20N550 | 5500 | 2540 | 6179 | 6455 | 1876 | 1600 | 3/6 | 1650 | 1750 | |
| | APYX20N600 | 6000 | 2790 | 6679 | 6955 | 2126 | 1850 | 3/6 | 1450 | 1500 | |

3.0t/3.5t AE Series Mast Specification

| Type | Model | Lifting height | Lowered overall height | Overall height | | Free lifting height | | Tilting range | Capacity(Mast vertical to ground) | | | | |
|-----------------------|-----------|----------------|------------------------|------------------|---------------|---------------------|---------------|---------------|-----------------------------------|------|------|------|--|
| | | | | Without backrest | With backrest | Without backrest | With backrest | | Load center@500mm | | | | |
| | | | | mm | mm | mm | mm | 3.0t | 3.5t | 3.0t | 3.5t | | |
| | | | | mm | mm | mm | mm | kg | kg | kg | kg | | |
| Duplex wide view mast | APY35M200 | 2000 | 1665 | 2856 | 3159 | 145 | 150 | 6/6 | 3000 | 3500 | 3000 | 3500 | |
| | APY35M250 | 2500 | 1915 | 3356 | 3659 | 145 | 150 | 6/12 | 3000 | 3500 | 3000 | 3500 | |
| | APY35M270 | 2700 | 2015 | 3556 | 3859 | 145 | 150 | 6/12 | 3000 | 3500 | 3000 | 3500 | |
| | APY35M300 | 3000 | 2165 | 3856 | 4159 | 145 | 150 | 6/12 | 3000 | 3500 | 3000 | 3500 | |
| | APY35M330 | 3300 | 2315 | 4156 | 4459 | 145 | 150 | 6/12 | 3000 | 3500 | 3000 | 3500 | |
| | APY35M360 | 3600 | 2465 | 4456 | 4759 | 145 | 150 | 6/12 | 3000 | 3500 | 3000 | 3500 | |
| | APY35M400 | 4000 | 2765 | 4856 | 5159 | 145 | 150 | 6/12 | 3000 | 3450 | 3000 | 3450 | |
| | APY35M430 | 4300 | 2915 | 5156 | 5459 | 145 | 150 | 6/6 | 2850 | 3300 | 3000 | 3300 | |
| | APY35M450 | 4500 | 3015 | 5356 | 5659 | 145 | 150 | 6/6 | 2700 | 3150 | 2850 | 3150 | |
| | APY35M480 | 4800 | 3165 | 5656 | 5959 | 145 | 150 | 6/6 | 2550 | | | | |

AE Series Lead-acid Battery Forklift

| | Manufacturer (abbreviation) | HANGCHA GROUP CO.,LTD. | | | | | | | | | | | | | | | | | | | | | | | | | | | | | | | | | | | | | | | | | | |
|---------------------|---|---|----------------|---------------------------------|-------------|---------------|---------------------------------|-------------|----------------|---------------------------------|-------------|---------------|---------------------------------|--------------|----------------|---------------------------------|--------------|---------------|---------------------------------|--------------|---------------|---------------------------------|--------------|--------------|---------------------------------|-------------|--------------|-----------|-------------|-----------|--|--|--------------|--|--|--|--|--|--------------|--|--|--|--|--|
| | | CPD15-AEY2 | CPD15-AEJ2/D2 | CPD15-AED1 | CPD18-AEY2 | CPD18-AEJ2/D2 | CPD18-AED1 | CPD20-AEY2 | CPD20-AEJ2/D2 | CPD20-AED1 | CPD20-AEY2 | CPD20-AEJ2/D2 | CPD20-AED1 | CPD25-AEY2 | CPD25-AEJ2/D2 | CPD25-AED1 | CPD30-AEY2 | CPD30-AEJ2/D2 | CPD30-AED1 | CPD35-AEY2 | CPD35-AEJ2/D2 | CPD35-AED1 | | | | | | | | | | | | | | | | | | | | | | |
| Distinguishing mark | 1.1 | Manufacturers type designation | | | | | | | | | | | | | | | | | | | | | | | | | | | | | | | | | | | | | | | | | | |
| | 1.2 | Drive: electric (battery or mains), diesel, petrol, fuel gas | Electric | | | | | | Electric | | | | | | Electric | | | | | | Electric | | | | | | | | | | | | | | | | | | | | | | | |
| | 1.3 | Operator type: hand, pedestrian, standing, seated, order-picker | Seated | | | | | | Seated | | | | | | Seated | | | | | | Seated | | | | | | | | | | | | | | | | | | | | | | | |
| | 1.4 | Load capacity/rated load | Q (kg) | | 1500 | | | | 1800 | | | | 2000 | | | | 2500 | | | | 3000 | | | | 3500 | | | | | | | | | | | | | | | | | | | |
| | 1.5 | Load centre distance | c (mm) | | 500 | | | | 500 | | | | 500 | | | | 500 | | | | 500 | | | | | | | | | | | | | | | | | | | | | | | |
| | 1.6 | Load distance, centre of drive axle to fork | x (mm) | | 405 | | | | 410 | | | | 415 | | | | 444 | | | | 477.5 | | | | 482.5 | | | | | | | | | | | | | | | | | | | |
| | 1.7 | Wheelbase | y (mm) | | 1430 | | | | 1430 | | | | 1430 | | | | 1520 | | | | 1520 | | | | 1650 | | | | | | | | | | | | | | | | | | | |
| Weight | 2.1 | Service Weight | kg | 2760 | 2890 | | 3040 | 3040 | | 3300 | 3270 | | 3480 | 3660 | | 4000 | 3950 | | 4430 | 4650 | | 4950 | 5050 | | | | | | | | | | | | | | | | | | | | | |
| | 2.2 | Axle loading, laden front/rear | kg | 3800/500 | | 3790/600 | | 4290/550 | | 4310/530 | | 4700/600 | | 4730/540 | | 4820/660 | | 4880/780 | | 5800/700 | | 5780/660 | | 6630/800 | | 6730/920 | | 7590/860 | | 7650/900 | | | | | | | | | | | | | | |
| | 2.3 | Axle loading, unladen front/rear | kg | 1370/1430 | | 1330/1560 | | 1350/1560 | | 1360/1680 | | 1420/1880 | | 1450/1820 | | 1580/1900 | | 1640/2020 | | 1770/2230 | | 1730/2220 | | 1890/2540 | | 1950/2700 | | 2030/2920 | | 2100/2950 | | | | | | | | | | | | | | |
| Tyres, chassis | 3.1 | Tyres: solid rubber, superelastic, pneumatic, polyurethane | Pneumatic | | | | | | Pneumatic | | | | | | Pneumatic | | | | | | Pneumatic | | | | | | | | | | | | | | | | | | | | | | | |
| | 3.2 | Tyre size, front | 6.00-9NHS-10PR | | | | | | 21X8-9-16PR | | | | | | 21X8-9-16PR | | | | | | 23X9-10-16PR | | | | | | 23X9-10-16PR | | | | | | 28X9-15-14PR | | | | | | 28X9-15-14PR | | | | | |
| | 3.3 | Tyre size, rear | 5.00-8NHS-10PR | | | | | | 5.00-8NHS-10PR | | | | | | 5.00-8NHS-10PR | | | | | | 18X7-8-14PR | | | | | | 18X7-8-14PR | | | | | | 18X7-8-16PR | | | | | | 18X7-8-16PR | | | | | |
| | 3.4 | Wheels, number front rear (X = driven wheels) | 2x/2 | | | | | | 2x/2 | | | | | | 2x/2 | | | | | | 2x/2 | | | | | | 2x/2 | | | | | | 2x/2 | | | | | | | | | | | |
| | 3.5 | Tread, front | b10 (mm) | 888 | | | | 938 | | | | 938 | | | | 1058 | | | | 1058 | | | | 1009 | | | | 1009 | | | | | | | | | | | | | | | | |
| | 3.6 | Tread, rear | b11 (mm) | 897.5 | | | | 897.5 | | | | 897.5 | | | | 960 | | | | 960 | | | | 960 | | | | 960 | | | | | | | | | | | | | | | | |
| Dimensions | 4.1 | Tilt of mast/fork carriage forward/backward | α/β(°) | | 6/12 | | | | 6/12 | | | | 6/12 | | | | 6/12 | | | | 6/12 | | | | 6/12 | | | | 6/12 | | | | | | | | | | | | | | | |
| | 4.2 | Height, mast lowered | h1 (mm) | | 1975 | | | | 1975 | | | | 1975 | | | | 2001 | | | | 2001 | | | | 2165 | | | | 2165 | | | | | | | | | | | | | | | |
| | 4.3 | Free lift | h2 (mm) | | 135 | | | | 135 | | | | 140 | | | | 140 | | | | 140 | | | | 145 | | | | 145 | | | | | | | | | | | | | | | |
| | 4.4 | Lift | h3 (mm) | | 3000 | | | | 3000 | | | | 3000 | | | | 3000 | | | | 3000 | | | | 3000 | | | | 3000 | | | | | | | | | | | | | | | |
| | 4.5 | Height, mast extended | h4 (mm) | | 3955 | | | | 3955 | | | | 3955 | | | | 4040 | | | | 4040 | | | | 4159 | | | | 4159 | | | | | | | | | | | | | | | |
| | 4.6 | Height of overhead guard STD. | h6 (mm) | | 2080 | | | | 2080 | | | | 2080 | | | | 2100 | | | | 2100 | | | | 2178 | | | | 2178 | | | | | | | | | | | | | | | |
| | 4.7 | Seat height/stand height | h7 (mm) | | 1090 | | | | 1090 | | | | 1090 | | | | 1115 | | | | 1115 | | | | 1182 | | | | 1182 | | | | | | | | | | | | | | | |
| | 4.8 | Coupling height | h10 (mm) | | 285 | | | | 285 | | | | 285 | | | | 308 | | | | 308 | | | | 317 | | | | 317 | | | | | | | | | | | | | | | |
| | 4.9 | Overall length | l1 (mm) | | 3125 | | | | 3130 | | | | 3135 | | | | 3430 | | | | 3430 | | | | 3662 | | | | 3662 | | | | | | | | | | | | | | | |
| | 4.10 | Length to face of forks | l2 (mm) | | 2205 | | | | 2210 | | | | 2215 | | | | 2360 | | | | 2360 | | | | 2592 | | | | 2592 | | | | | | | | | | | | | | | |
| | 4.11 | Overall width | b1 (mm) | | 1120 | | | | 1120 | | | | 1120 | | | | 1260 | | | | 1260 | | | | 1241 | | | | 1241 | | | | | | | | | | | | | | | |
| | 4.12 | Fork dimensions | s/e/l (mm) | | 35×100×920 | | | | 35×100×920 | | | | 40×100×920 | | | | 40×122×1070 | | | | 40×122×1070 | | | | 45×125×1070 | | | | 50×125×1070 | | | | | | | | | | | | | | | |
| | 4.13 | Fork carriage DIN 15173 --- ISO 2328, class/type A,B | ISO 2328 2A | | | | | | ISO 2328 2A | | | | | | ISO 2328 2A | | | | | | ISO 2328 2A | | | | | | ISO 2328 2A | | | | | | ISO 2328 3A | | | | | | ISO 2328 3A | | | | | |
| | 4.14 | Fork-carriage width | b3 (mm) | | 1000 | | | | 1000 | | | | 1000 | | | | 1100 | | | | 1100 | | | | 1100 | | | | 1100 | | | | | | | | | | | | | | | |
| 4.15 | Distance between fork-arms | b5 (mm) | | 240/1000 | | | | 240/1000 | | | | 240/1000 | | | | 290/1100 | | | | 290/1100 | | | | 290/1100 | | | | 290/1100 | | | | | | | | | | | | | | | | |
| 4.16 | Ground clearance, laden, below mast | m1 (mm) | | 95 | | | | 95 | | | | 95 | | | | 120 | | | | 120 | | | | 135 | | | | 135 | | | | | | | | | | | | | | | | |
| 4.17 | Ground clearance, centre of wheelbase | m2 (mm) | | 100 | | | | 100 | | | | 100 | | | | 125 | | | | 125 | | | | 134 | | | | 134 | | | | | | | | | | | | | | | | |
| 4.18 | Aisle width for pallets 1000 × 1200 crossways | Ast (mm) | | 3655 | | | | 3660 | | | | 3660 | | | | 3794 | | | | 3794 | | | | 4057.5 | | | | 4062.5 | | | | | | | | | | | | | | | | |
| 4.19 | Aisle width for pallets 800 × 1200 crossways | Ast (mm) | | 3855 | | | | 3860 | | | | 3860 | | | | 3994 | | | | 3994 | | | | 4257.5 | | | | 4262.5 | | | | | | | | | | | | | | | | |
| 4.20 | Turning radius | Wa (mm) | | 2050 | | | | 2050 | | | | 2050 | | | | 2150 | | | | 2150 | | | | 2380 | | | | 2380 | | | | | | | | | | | | | | | | |
| Performance data | 5.1 | Travel speed, laden/unladen | km/h | | 13.5/14 | | | | 13.5/14 | | | | 13.5/14 | | | | 14/14 | | | | 14/14 | | | | 14/14 | | | | 14/14 | | | | | | | | | | | | | | | |
| | 5.2 | Lift speed, laden/unladen | mm/s | | 280/430 | 280/430 | 250/430 | 280/430 | 280/430 | 250/430 | 280/430 | 280/430 | 250/430 | 280/430 | 280/430 | 250/430 | 280/430 | 280/430 | 250/430 | 280/400 | 280/400 | 250/400 | 280/400 | 280/400 | 250/400 | | | | | | | | | | | | | | | | | | | |
| | 5.3 | Lowering speed, laden/unladen | mm/s | | 500/430 | | | | 500/440 | | | | 500/440 | | | | 500/430 | | | | 500/440 | | | | 470/420 | | | | 470/420 | | | | | | | | | | | | | | | |
| | 5.5 | Max. Drawbar pull, laden/unladen | N | | 7000 | 7000 | | 7000 | 7000 | | 7000 | 7000 | | 11000 | 11000 | | 11000 | 11000 | | 13000 | 13000 | | 13000 | 13000 | | | | | | | | | | | | | | | | | | | | |
| | 5.7 | Max. gradeability, laden/unladen | % | | 15/15 | | | | 15/15 | | | | 15/15 | | | | 15/15 | | | | 15/15 | | | | 15/13 | | | | 15/15 | | | | | | | | | | | | | | | |
| | 5.9 | Service brake | Hydraulic | | | | | | Hydraulic | | | | | | Hydraulic | | | | | | Hydraulic | | | | | | Hydraulic | | | | | | | | | | | | | | | | | |
| 5.10 | Parking brake | Mechanical | | | | | | Mechanical | | | | | | Mechanical | | | | | | Mechanical | | | | | | Mechanical | | | | | | | | | | | | | | | | | | |
| Electric-engine | 6.1 | Drive motor rating S2 60 min | kW | | 6AC | 8AC | | 6AC | 8AC | | 6AC | 8AC | | 9AC | 11AC | | 9AC | 11AC | | 11AC | 15AC | | 11AC | 15AC | | | | | | | | | | | | | | | | | | | | |
| | 6.2 | Lift motor rating at S3 15% | kW | | 5AC | 8.6AC | 8.2DC | 5AC | 8.6AC | 8.2DC | 5AC | 8.6AC | 8.2DC | 7AC | 8.6AC | 8.6DC | 7AC | 8.6AC | 8.6DC | 8AC | 10AC | 10DC | 8AC | 10AC | 10DC | | | | | | | | | | | | | | | | | | | |
| | 6.3 | Battery acc. to DIN 43 531/35/36 A,B,C, no | no | | | | | | no | | | | | | no | | | | | | no | | | | | | no | | | | | | | | | | | | | | | | | |
| | 6.4 | Battery voltage, nominal capacity K5 | V/Ah | | 80/220 | 48/420 | | 80/220 | 48/420 | | 80/220 | 48/420 | | 80/300 | 48/640 | | 80/300 | 48/640 | | 80/400 | 80/480 | | 80/400 | 80/480 | | | | | | | | | | | | | | | | | | | | |
| | 6.5 | Battery weight | kg | | 700 | 735 | | 700 | 735 | | 700 | 735 | | 880 | 1000 | | 880 | 1000 | | 1080 | 1250 | | 1080 | 1250 | | | | | | | | | | | | | | | | | | | | |
| | 6.6 | Battery dimensions | mm | | 812x920x483 | 812x920x483 | | 812x920x483 | 812x920x483 | | 812x920x483 | 812x920x483 | | 852×1035×483 | 852x1035x513 | | 852×1035×483 | 852x1035x513 | | 825×1165×543 | 825×1165×543 | | 825×1165×543 | 825×1165×543 | | | | | | | | | | | | | | | | | | | | |
| Addition data | 7.1 | Type of drive control | MOSFET/AC | | | | | | MOSFET/AC | | | | | | MOSFET/AC | | | | | | MOSFET/AC | | | | | | MOSFET/AC | | | | | | | | | | | | | | | | | |
| | 7.2 | Manufacturer | Y2 | Enpower | / | | Enpower | / | | Enpower | / | | Enpower | / | | Enpower | / | | Enpower | / | | Enpower | / | | Enpower | / | | | | | | | | | | | | | | | | | | |
| | | | J2 | / | HANGCHA | | / | HANGCHA | | / | HANGCHA | | / | HANGCHA | | / | HANGCHA | | / | HANGCHA | | / | HANGCHA | | / | HANGCHA | | | | | | | | | | | | | | | | | | |
| | | | D1、D2 | / | INMOTION | | / | INMOTION | | / | INMOTION | | / | INMOTION | | / | INMOTION | | / | INMOTION | | / | INMOTION | | / | INMOTION | | | | | | | | | | | | | | | | | | |
| | 7.3 | Model | Y2 | MC3336-A850 | / | | MC3336-A850 | / | | MC3336-A850 | / | | MC3336-A850 | / | | MC3336-A850 | / | | MC3336-A850 | / | | MC3336-A850 | / | | MC3336-A850 | / | | | | | | | | | | | | | | | | | | |
| | | | J2 | / | HC-B1 | | / | HC-B1 | | / | HC-B1 | | / | HC-B1 | | / | HC-B2;HC-B1 | | / | HC-B2;HC-B1 | | / | HC-C3;HC-C2 | | / | HC-C3;HC-C2 | | | | | | | | | | | | | | | | | | |
| D2 | | | / | ACS48S-350C-35P;ACS48S-350C-23P | | / | ACS48S-350C-35P;ACS48S-350C-23P | | / | ACS48S-350C-35P;ACS48S-350C-23P | | / | ACS48S-350C-35P;ACS48S-350C-23P | | / | ACS48S+450C-35P;ACS48S-350C-23P | | / | ACS48S+450C-35P;ACS48S-350C-23P | | / | ACS80M-440C-35P;ACS80M-330C-23P | | / | ACS80M-440C-35P;ACS80M-330C-23P | | | | | | | | | | | | | | | | | | | |
| D1 | | | / | ACS48S-350C-35P;HP 48/350 | | / | ACS48S-350C-35P;HP 48/350 | | / | ACS48S-350C-35P;HP 48/350 | | / | ACS48S-350C-35P;HP 48/350 | | / | ACS48S+450C-35P;HP 48/500 | | / | ACS48S+450C-35P;HP 48/500 | | / | ACS80L-440C-35P;HP 80/500 | | / | ACS80L-440C-35P;HP 80/500 | | | | | | | | | | | | | | | | | | | |
| 8.1 | | MPa | | 18.5 | | | | 18.5 | | | | 18.5 | | | | 18.5 | | | | 18.5 | | | | 18.5 | | | | | | | | | | | | | | | | | | | | |
| 8.4 | Towing coupling, type DIN | Φ 24 Pin | | | | | | Φ 24 Pin | | | | | | Φ 24 Pin | | | | | | Φ 24 Pin | | | | | | Φ 24 Pin | | | | | | | | | | | | | | | | | | |



AST = $a + W_a + x + B$ $a < 200\text{mm}$

