

## 8FGKF/FDKF20, 8FGF/FDF20

Specifications				02-8FGKF20	02-8FDKF20	02-8FGF20	02-8FDF20	52-8FDF20	
Identification	1.1	Manufacturer		Toyota	Toyota	Toyota	Toyota	Toyota	
	1.2	Model		02-8FGKF20	02-8FDKF20	02-8FGF20	02-8FDF20	52-8FDF20	
	1.3	Drive		LPG	Diesel	LPG	Diesel	Diesel	
	1.4	Operator type		Rider seated	Rider seated	Rider seated	Rider seated	Rider seated	
	1.5	Load capacity/rated load	Q	kg	2000	2000	2000	2000	2000
	1.6	Load centre	c	mm	500	500	500	500	500
	1.8	Load distance, centre of drive axle to fork	x	mm	430	430	470	470	470
	1.9	Wheelbase	y	mm	1485	1485	1650	1650	1650
	Weight	2.1	Service weight		kg	3150	3220	3250	3290
2.2		Axle load, with load, front/rear		kg	4450/700	4490/730	4580/670	4600/690	4610/700
2.3		Axle load, without load, front/rear		kg	1150/2000	1190/2030	1410/1840	1430/1860	1440/1870
Tyres	3.1	Tyre - pneumatic (P), pneumatic shaped cushion (SE), solid rubber (R)			SE	SE	SE	SE	SE
	3.2	Tyre size, front			21x8-9	21x8-9	7.00-12	7.00-12	7.00-12
	3.3	Tyre size, rear			18x7-8	18x7-8	6.00-9	6.00-9	6.00-9
	3.5	Wheels, number front/rear (x = driven wheels)			2x/2	2x/2	2x/2	2x/2	2x/2
	3.6	Track width, front	b <sub>10</sub>	mm	960	960	960	960	960
	3.7	Track width, rear	b <sub>11</sub>	mm	940	940	965	965	965
	Dimensions	4.1	Tilt of mast/fork carriage forward/backward	$\alpha/\beta$	deg	7/10	7/10	6/11	6/11
4.2		Height, mast lowered	h <sub>1</sub>	mm	1975	1975	1995	1995	1995
4.3		Free lift	h <sub>2</sub>	mm	125	125	150	150	150
4.4		Lift	h <sub>3</sub>	mm	2960	2960	2960	2960	2960
		Lift height	h <sub>23</sub>	mm	3000	3000	3000	3000	3000
4.5		Height, mast extended	h <sub>4</sub>	mm	4250	4250	4250	4250	4250
4.7		Height of overhead guard (cab)	h <sub>6</sub>	mm	2085	2085	2110	2110	2110
4.8		Seat height	h <sub>7</sub>	mm	1025	1025	1050	1050	1050
4.12		Coupling height	h <sub>10</sub>	mm	285	285	315	315	315
4.19		Overall length	l <sub>1</sub>	mm	3370	3370	3575	3575	3575
4.20		Length to face of forks	l <sub>2</sub>	mm	2370	2370	2575	2575	2575
4.21		Overall width	b <sub>1</sub>	mm	1155	1155	1150	1150	1150
4.22		Fork dimensions	s/e/l	mm	40/100/1000	40/100/1000	40/100/1000	40/100/1000	40/100/1000
4.23		Fork carriage DIN 15 173, class/type A, B			IIA	IIA	IIA	IIA	IIA
4.24		Fork-carriage width	b <sub>3</sub>	mm	1020	1020	1020	1020	1020
4.31		Ground clearance, with load, below mast	m <sub>1</sub>	mm	60	60	90	90	90
4.32		Ground clearance, centre of wheelbase	m <sub>2</sub>	mm	85	85	135	135	135
4.33		Aisle width for pallets 1000x1200 crossways	A <sub>st</sub>	mm	3670	3670	3870	3870	3870
4.34		Aisle width for pallets 800x1200 lengthways	A <sub>st</sub>	mm	3870	3870	4070	4070	4070
4.35		Turning radius	W <sub>a</sub>	mm	2040	2040	2200	2200	2200
4.36	Internal turning radius	b <sub>13</sub>	mm	630	630	745	745	745	
Performance data	5.1	Travel speed, with/without load		km/h	17,0/17,5	17,0/17,5	17,5/18,0	17,0/17,5	19,0/19,5
	5.2	Lift speed, with/without load		m/s	0,60/0,64	0,56/0,60	0,60/0,64	0,56/0,60	0,62/0,66
	5.3	Lowering speed, with/without load		m/s	0,50/0,50	0,50/0,50	0,50/0,50	0,50/0,50	0,50/0,50
	5.6	Max. drawbar pull, with/without load		N	18800/7800	18000/7800	18500/9000	17400/9100	19200/9100
	5.7	Gradeability, with load <sup>1) 2)</sup>		%	36	34	35	32	33
	5.8	Max. gradeability, with/without load <sup>2)</sup>		%	40/20	38/20	39/22	36/22	36/22
	5.10	Service brake			Hydraulic	Hydraulic	Hydraulic	Hydraulic	Hydraulic
Combustion engine	7.1	Engine manufacturer/type			Toyota 4Y-ECS (V)	Toyota 1DZ-III (IIIA)	Toyota 4Y-ECS (V)	Toyota 1DZ-III (IIIA)	Toyota 1ZS (IIIB)
	7.2	Engine power according to ISO 1585		kW	38	36	38	36	41
	7.3	Rated speed		1/min	2570	2400	2570	2400	2200
	7.4	No. of cylinders/displacement		cm <sup>3</sup>	4/2237	4/2486	4/2237	4/2486	3/1795
	7.5a	Fuel consumption according to VDI 60		l/h	—	3,0	—	3,0	2,6
	7.5b	Fuel consumption according to VDI 60		kg/h	2,4	—	2,5	—	—
	8.2	Operating pressure for attachments		bar	147	147	147	147	174
Other	8.3	Oil volume for attachments		l/min	65 - 71	65 - 71	65 - 71	65 - 77	65 - 77
	8.4	Sound level at the driver's ear according to EN 12 053		dB(A)	77	79	77	79	77

1) At 1,5 km/h.

2) Computed val.

## Mast dimensions and rated capacities

Model			V							FV					FSV							
8FGKF/DKF20	Lift height	$h_{23}$	3000	3300	3500	3700	4000	4500	5000	—	3000	3300	3500	3700	4000	4300	4700	5000	5500	6000	6500	7000
	Lift	$h_3$	2960	3260	3460	3660	3960	4460	4960	—	2960	3260	3460	3660	3960	4260	4660	4960	5460	5960	—	—
	Height, mast lowered	$h_1$	1975	2125	2225	2385	2575	2825	3075	—	1975	2125	2225	2385	2575	1975	2125	2225	2385	2575	—	—
	Height, mast extended <sup>1)</sup>	$h_4$	3705	4005	4205	4405	4705	5205	5705	—	3635	3935	4135	4335	4635	4975	5375	5675	6175	6675	—	—
	Height, mast extended <sup>2)</sup>	$h_4$	4250	4550	4750	4950	5250	5750	6250	—	4240	4540	4740	4940	5240	5540	5940	6240	6740	7240	—	—
	Free lift, without load backrest	$h_2$	125	125	125	125	125	125	125	—	1370	1520	1620	1780	1970	1330	1480	1580	1740	1930	—	—
	Free lift, with load backrest	$h_2$	125	125	125	125	125	125	125	—	765	915	1015	1175	1365	765	915	1015	1175	1365	—	—
8FGF/FDF20	Lift height	$h_{23}$	3000	3300	3500	3700	4000	4500	5000	5500	3000	3300	3500	3700	4000	4300	4700	5000	5500	6000	6500	7000
	Lift	$h_3$	2960	3260	3460	3660	3960	4460	4960	5460	2960	3260	3460	3660	3960	4260	4660	4960	5460	5960	6460	6960
	Height, mast lowered	$h_1$	1995	2145	2245	2405	2595	2845	3095	3345	1995	2145	2245	2405	2595	1995	2145	2245	2405	2595	2845	3095
	Height, mast extended <sup>1)</sup>	$h_4$	3700	4000	4200	4400	4700	5200	5700	6200	3625	3925	4125	4325	4625	4900	5300	5600	6100	6600	7100	7600
	Height, mast extended <sup>2)</sup>	$h_4$	4250	4550	4750	4950	5250	5750	6250	6750	4240	4540	4740	4940	5240	5540	5940	6240	6740	7240	7740	8240
	Free lift, without load backrest	$h_2$	150	150	150	150	150	150	150	150	1400	1550	1650	1810	2000	1425	1575	1675	1835	2025	2275	2525
	Free lift, with load backrest	$h_2$	150	150	150	150	150	150	150	150	785	935	1035	1195	1385	785	935	1035	1195	1385	1635	1885

1) Without load backrest.

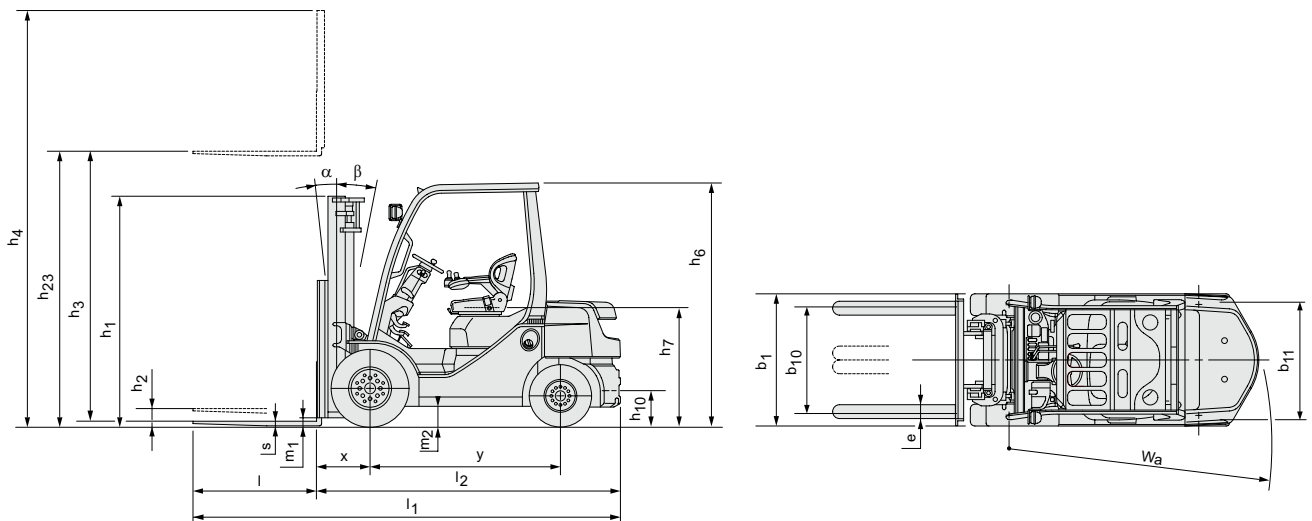
2) With load backrest; Height of standard load backrest is 1220 mm.

Data in [ ] are for when "A4 piping" is selected.

Single tyre			V							FV					FSV							
8FGKF/DKF20	Tilt range, forward	deg	7	7	7	7	7	7	—	7	7	7	7	7	7	7	7	7	7	—	—	
	Tilt range, backward	deg	10(5)	10(5)	10(5)	10(5)	10(5)	5	5	—	10(5)	10(5)	10(5)	10(5)	5	5	5	5	5	—	—	
	Load capacity, P tyres at 500 mm LC	kg	2000	2000	2000	2000	2000	1950	1850	—	2000	2000	2000	2000	2000	1900	1850	1450	1200	850	—	—
	Load capacity, SE tyres at 500 mm LC	kg	2000	2000	2000	2000	2000	2000	2000	—	2000	2000	2000	2000	2000	2000	2000	1600	1350	1000	—	—
8FGF/FDF20	Tilt range, forward	deg	6	6	6	6	6	6	—	6	6	6	6	6	6	6	6	6	6	6	—	—
	Tilt range, backward	deg	11(6)	11(6)	11(6)	11(6)	11(6)	6	6	—	11(6)	11(6)	11(6)	11(6)	6	6	6	6	6	6	—	—
	Load capacity, P tyres at 500 mm LC	kg	2000	2000	2000	2000	2000	1950	1850	—	2000	2000	2000	2000	1900	1850	1450	1200	850	650	—	—
	Load capacity, SE tyres at 500 mm LC	kg	2000	2000	2000	2000	2000	1950	1900	—	2000	2000	2000	2000	1900	1850	1600	1350	1000	750	—	—

Dual tyre			V							FV					FSV							
8FGF/FDF20	Tilt range, forward	deg	6	6	6	6	6	6	6	6	6	6	6	6	6	6	6	6	6	6	6	6
	Tilt range, backward	deg	11(6)	11(6)	11(6)	11(6)	11(6)	6	6	11(6)	11(6)	11(6)	11(6)	11(6)	6	6	6	6	6	6	6	6
	Load capacity, P/SE tyres at 500 mm LC	kg	2000	2000	2000	2000	2000	1950	1900	1800	2000	2000	2000	2000	2000	1950	1900	1850	1800	1600	1550	1200

Data in ( ) are for when "Cabin Series" is selected (minimum front windshield).



Underclearance		8FG/DKF20	8FG/FDF20
Mast, load	mm	60	90
Drive axle, load	mm	65	125
Steer axle, no load	mm	115	150
Center of wheelbase, load	mm	85	135
Counterweight, no load	mm	110	140