

8FG80N, 40-8FD80N

Specifications					8FG80N	40-8FD80N
Identification	1.1	Manufacturer			Toyota	Toyota
	1.2	Model			8FG80N	40-8FD80N
	1.3	Drive			LPG	Diesel
	1.4	Operator type			Driver seated	Driver seated
	1.5	Load capacity/rated load	Q	kg	8000	8000
	1.6	Load centre	c	mm	600	600
	1.8	Load distance, centre of drive axle to fork	x	mm	590	590
	1.9	Wheelbase	y	mm	2250	2250
Weight	2.1	Service weight		kg	9980	9940
	2.2	Axle load with load, front/rear		kg	15830/2050	15860/2080
	2.3	Axle load without load, front/rear		kg	3600/6280	3630/6310
Tyres	3.1	Tyres - Pneumatic (P),Pneumatic shaped cushion (PSC), Solid rubber(R)			P	P
	3.2	Tyre size, front			8.25-15-14PR	8.25-15-14PR
	3.3	Tyre size, rear			8.25-15-14PR	8.25-15-14PR
	3.5	Wheels, number front/rear (x = driven)			2x-4x/2	2x-4x/2
	3.6	Track width, front	b_{10}	mm	1440	1440
	3.7	Track width, rear	b_{11}	mm	1460	1460
	Dimensions	4.1	Tilt of mast/fork carriage forward/backward	α/β	deg	6/12
4.2		Height, mast lowered	h_1	mm	2610	2610
4.3		Free lift	h_2	mm	125	125
4.4		Lift	h_3	mm	2930	2930
		Lift height	h_{23}	mm	3000	3000
4.5		Height, mast extended	h_4	mm	4440	4440
4.7		Height of overhead guard (cab) ¹⁾	h_6	mm	2385	2385
4.8		Seat height	h_7	mm	1128	1128
4.12		Coupling height	h_{10}	mm	485	485
4.19		Overall length	l_1	mm	4790	4790
4.20		Length to face of forks	l_2	mm	3590	3590
4.21		Overall width	b_1	mm	1965	1965
4.22		Fork dimensions	s/e/l	mm	70/150/1200	70/150/1200
4.23		Fork carriage DIN 15 173, class/type A, B			IV A	IV A
4.24		Fork-carriage width	b_3	mm	1700	1700
4.31		Ground clearance, with load, below mast	m_1	mm	125	125
4.32		Ground clearance, centre of wheelbase	m_2	mm	250	250
4.33		Aisle width for pallets 1000x1200 crossways	A_{st}	mm	5110	5110
4.34		Aisle width for pallets 800x1200 lengthways	A_{st}	mm	5310	5310
4.35		Turning radius	W_a	mm	3320	3320
4.36	Internal turning radius	b_{13}	mm	1020	1020	
Performance data	5.1	Travel speed, with/without load		km/h	19/21	19/21
	5.2	Lift speed, with/without load		m/s	0,41/0,44	0,36/0,42
	5.3	Lowering speed, with/without load		m/s	0,53/,048	0,53/,048
	5.6	Max. drawbar pull, with/without load		N	45000/19700	45000/19700
	5.7	Gradeability, with load		%	17	17
	5.8	Max. gradeability, with/without load ²⁾		%	26/19	26/19
	5.10	Service brake			Hydraulic	Hydraulic
Combustion engine	7.1	Engine manufacturer/type			Toyota 1FS	Toyota 1KD
	7.2	Engine power (ISO 1585)		kW	69	55
	7.3	Rated speed		min ⁻¹	2550	2200
	7.4	No. of cylinders/displacement		cm ³	4/3685	4/2982
	7.5a	Fuel consumption (VDI cycle)		l/h		8,2
	7.5b	Fuel consumption (VDI cycle)		kg/h	7,3	
Other	8.2	Operating pressure for attachments		bar	210	210
	8.3	Oil volume for attachments		l/min	128	128
	8.4	Sound level at the driver's ear according to EN 12 053		dB(A)	80	79

1) Overhead guard dimensions reflected in the specification sheet are based on optional overhead guard (+75mm) TMHE recommends this optional height for trucks sold in Europe for reasons of additional comfort for majority of European drivers.

2) Computed values.

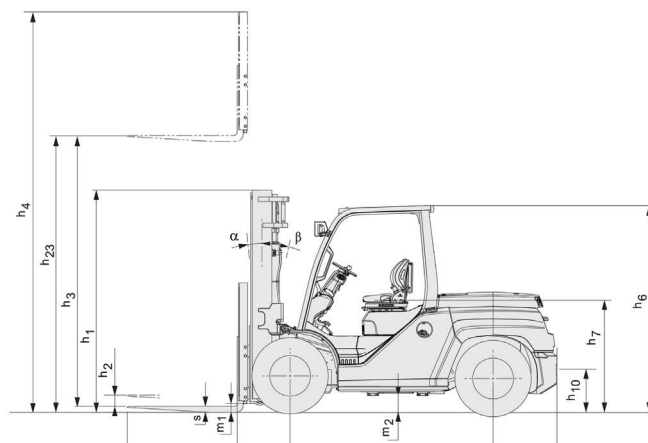
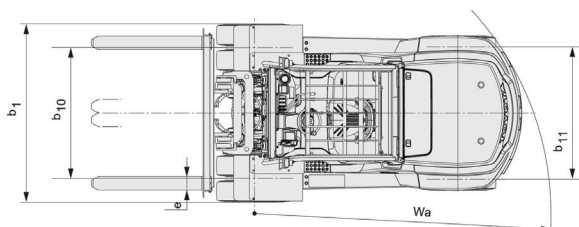
Mast dimensions and rated capacities

Model			V								
8FG/8FD80N	Lift height	h_{23}	3000	3300	3500	3700	4000	4500	5000	5500	6000
	Lift	h_3	2930	3230	3430	3630	3930	4430	4930	5430	5930
	Height, mast lowered	h_1	2610	2710	2810	3060	3310	3560	3810	4060	4310
	Height, mast extended ¹⁾	h_4	4085	4385	4585	4785	5085	5585	6085	6585	7085
	Height, mast extended ²⁾	h_4	4440	4740	4940	5140	5440	5940	6440	6940	7440
	Free lift, without load backrest	h_2	130	130	130	130	130	130	130	130	130
	Free lift, with load backrest	h_2	130	130	130	130	130	130	130	130	130

Dual tyre			V								
8FG/8FD80N	Tilt range, forward	deg	6	6	6	6	6	6	6	6	6
	Tilt range, Backward	deg	12	12	12	12	12	12	12	2	12
	Load capacity at 600 mm LC	kg	8000	8000	8000	8000	8000	8000	8000	8000	7700

1) Without load backrest.

2) With load backrest; Height of standard load backrest is 1370 mm.



Underclearance		80N
Mast, load	mm	125
Drive axle, load	mm	215
Steer axle, no load	mm	265
Center of wheelbase, load	mm	250
Counterweight, no load	mm	225
Lowest point under chassis, full load	mm	190